

IONIKA ACCESSORIES

73524.59.066

Right-side wall-mounted paper holder with cover - finish PVD
Brushed steel



PVD Brushed steel

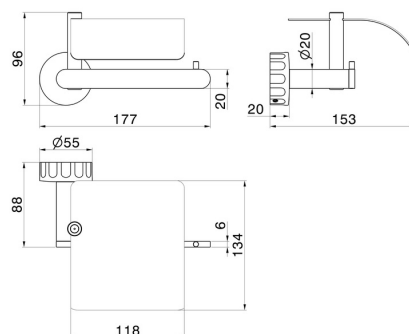


FEATURES

Installation

Wall mounted

TECHNICAL DRAWING





IONIKA ACCESSORIES

73524.59.066

Right-side wall-mounted paper holder with cover - finish PVD Brushed steel

AVAILABLE FINISHES



59.066

PVD Brushed steel



01.014

finish Matt White



01.093

finish Matt Black



21.018

finish Chrome



59.064

finish PVD Brushed Gun Metal



59.067

finish PVD Brushed Copper Bronze



59.098

finish PVD Brushed Pale Gold



61.020

finish PVD Glossy Gold