

LINFA II

69410.M0.072

Single lever basin mixer - finish Copper Satin



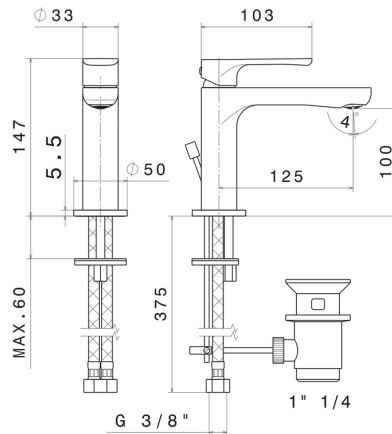
Copper Satin



FEATURES

Material	Brass
Technology	Save Water
Installation	Freestanding
Version	Standard
Hole type	Single hole
Control type	Single lever
Waste / Drain set	With waste set
Water mixing	Mechanical

TECHNICAL DRAWING






LINFA II

69410.M0.072


Single lever basin mixer - finish Copper Satin

AVAILABLE FINISHES

 **M0.072**
Copper Satin


 **01.014**
finish Matt White

 **01.093**
finish Matt Black

 **21.018**
finish Chrome

 **M0.070**
finish Titanium Satin

 **M0.071**
finish Gold Satin

 **M0.075**
finish Copper Glossy