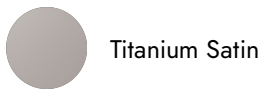


LINFA II

69416.M0.070

Single lever basin mixer, high version, for above counter basin
- finish Titanium Satin

Without pop-up waste set



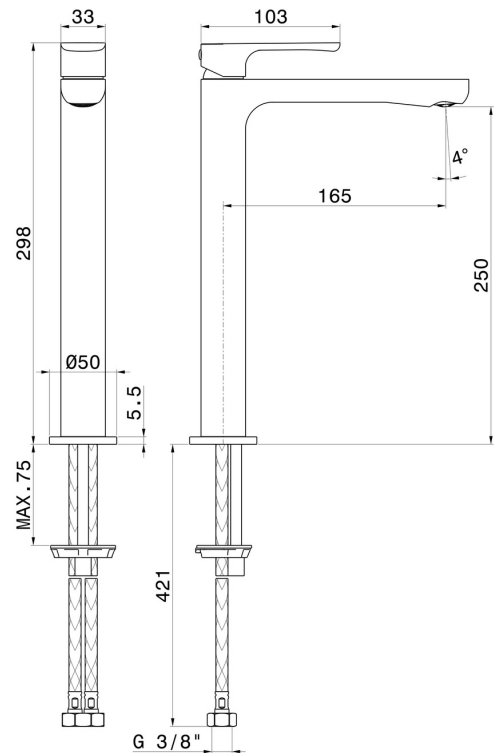
Titanium Satin



FEATURES

Material	Brass
Technology	Save Water
Installation	Freestanding
Version	High version
Hole type	Single hole
Control type	Single lever
Waste / Drain set	Without waste set
Water mixing	Mechanical

TECHNICAL DRAWING





LINFA II

69416.M0.070

Single lever basin mixer, high version, for above counter basin - finish Titanium Satin

AVAILABLE FINISHES



M0.070

Titanium Satin



01.014

finish Matt White



01.093

finish Matt Black



21.018

finish Chrome



M0.071

finish Gold Satin



M0.072

finish Copper Satin



M0.075

finish Copper Glossy