

XT

4207.01.093

Single lever basin mixer with clinical lever - finish Matt Black

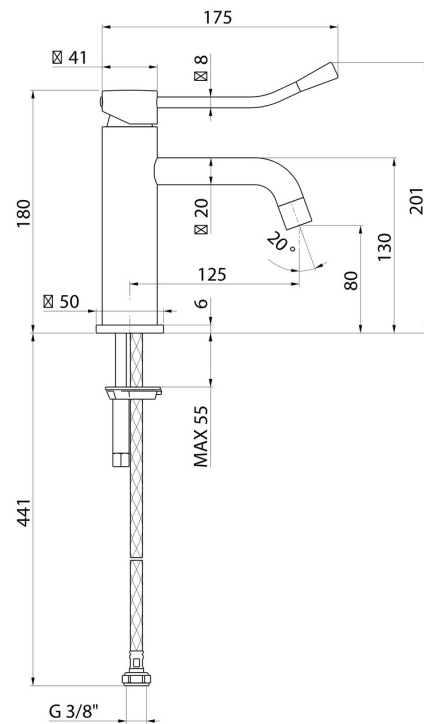
Without pop-up waste set



FEATURES

Material	Brass
Technology	Low Lead - Save Water
Installation	Freestanding
Version	Standard
Hole type	Single hole
Control type	Single lever
Waste / Drain set	Without waste set
Water mixing	Mechanical

TECHNICAL DRAWING





XT

4207.01.093

Single lever basin mixer with clinical lever - finish Matt Black

AVAILABLE FINISHES



01.093

Matt Black



01.014

finish Matt White



21.018

finish Chrome



47.083

finish Groove Bronze



58.061

finish PVD Copper Bronze



58.063

finish PVD Gun Metal



61.020

finish PVD Glossy Gold



M0.070

finish Titanium Satin



M0.071

finish Gold Satin



M0.072

finish Copper Satin



M0.075

finish Copper Glossy



M0.077

finish Carbon Satin