

XT

4219.M0.070

Single lever bidet mixer - finish Titanium Satin

Without pop-up waste set



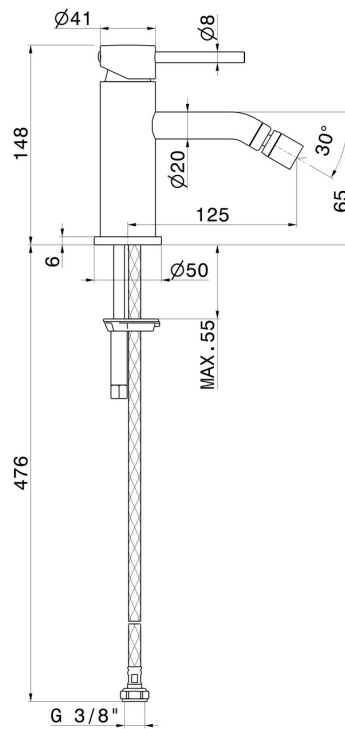
Titanium Satin



FEATURES

- | | |
|-------------------|--------------------------|
| Material | Brass |
| Technology | Save Water |
| Installation | Freestanding |
| Hole type | Single hole |
| Control type | Single lever |
| Waste / Drain set | Without waste set |
| Water mixing | Mechanical |

TECHNICAL DRAWING





XT

4219.M0.070

Single lever bidet mixer - finish Titanium Satin

AVAILABLE FINISHES



M0.070

Titanium Satin



01.014

finish Matt White



01.093

finish Matt Black



21.018

finish Chrome



47.083

finish Groove Bronze



58.061

finish PVD Copper Bronze



58.063

finish PVD Gun Metal



59.064

finish PVD Brushed Gun Metal



59.067

finish PVD Brushed Copper Bronze



59.097

finish PVD Brushed Gold



59.098

finish PVD Brushed Pale Gold



61.020

finish PVD Glossy Gold

 **MO.071**
finish Gold Satin

 **MO.072**
finish Copper Satin

 **MO.075**
finish Copper Glossy

 **MO.077**
finish Carbon Satin