

LINFA II

69425.M0.070

Single lever bidet mixer - finish Titanium Satin



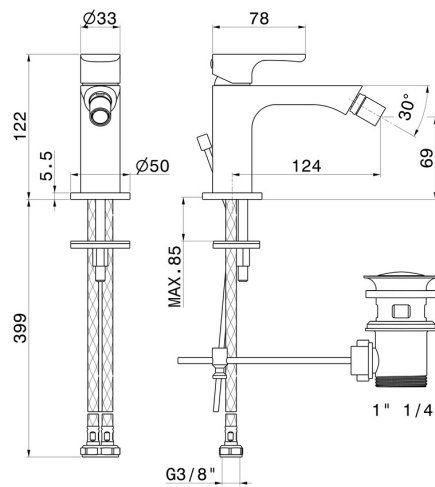
Titanium Satin



FEATURES

Material	Brass
Technology	Save Water
Installation	Freestanding
Hole type	Single hole
Control type	Single lever
Waste / Drain set	With waste set
Water mixing	Mechanical

TECHNICAL DRAWING






LINFA II


69425.M0.070


Single lever bidet mixer - finish Titanium Satin


AVAILABLE FINISHES


 **M0.070**
Titanium Satin

 **01.014**
finish Matt White

 **01.093**
finish Matt Black

 **21.018**
finish Chrome

 **M0.071**
finish Gold Satin

 **M0.072**
finish Copper Satin

 **M0.075**
finish Copper Glossy