

X-STEEL 316

69623X.50.050

Single lever bidet mixer - finish Stainless Steel



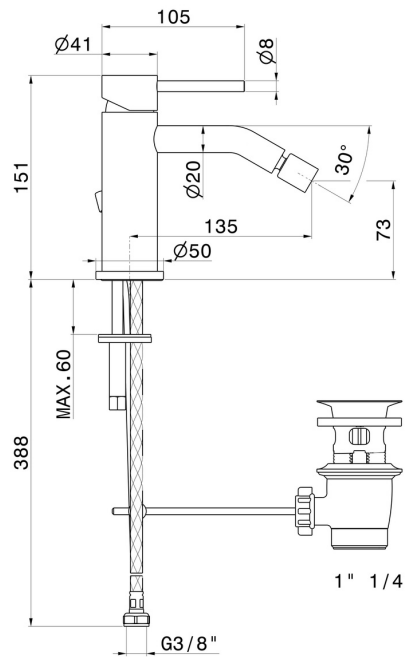
Stainless Steel



FEATURES

Material	Stainless Steel
Technology	Save Water
Installation	Freestanding
Hole type	Single hole
Control type	Single lever
Waste / Drain set	With waste set
Water mixing	Mechanical

TECHNICAL DRAWING



 **AR Preview**
try it in your home



More Details
on our [website](#)



X-STEEL 316

69623X.50.050

Single lever bidet mixer - finish Stainless Steel

AVAILABLE FINISHES



50.050

Stainless Steel



59.064

finish PVD Brushed Gun Metal



59.067

finish PVD Brushed Copper Bronze



59.097

finish PVD Brushed Gold



59.098

finish PVD Brushed Pale Gold



AR Preview
try it in your home



More Details
on our [website](#)