

X-WAY

73927.M0.070

Single lever bidet mixer - finish Titanium Satin

Without pop-up waste set



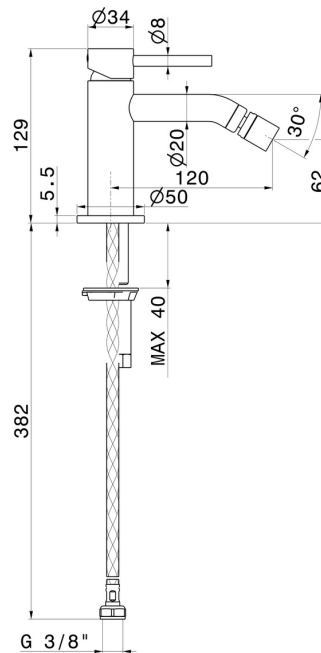
Titanium Satin



FEATURES

- | | |
|-------------------|--------------------------|
| Material | Brass |
| Technology | Save Water |
| Installation | Freestanding |
| Hole type | Single hole |
| Control type | Single lever |
| Waste / Drain set | Without waste set |
| Water mixing | Mechanical |

TECHNICAL DRAWING





X-WAY

73927.M0.070

Single lever bidet mixer - finish Titanium Satin

AVAILABLE FINISHES



M0.070

Titanium Satin



01.014

finish Matt White



01.093

finish Matt Black



21.018

finish Chrome



47.083

finish Groove Bronze



59.064

finish PVD Brushed Gun Metal



59.066

finish PVD Brushed steel



59.067

finish PVD Brushed Copper Bronze



59.097

finish PVD Brushed Gold



M0.071

finish Gold Satin



M0.072

finish Copper Satin



M0.075

finish Copper Glossy