

X-WAY

73927.M0.075

Single lever bidet mixer - finish Copper Glossy

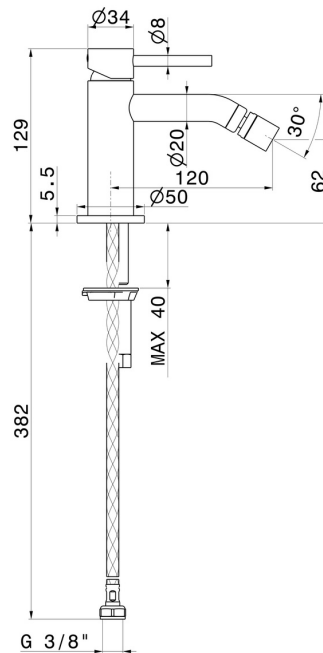
Without pop-up waste set



FEATURES

Material	Brass
Technology	Save Water
Installation	Freestanding
Hole type	Single hole
Control type	Single lever
Waste / Drain set	Without waste set
Water mixing	Mechanical

TECHNICAL DRAWING





X-WAY

73927.M0.075

Single lever bidet mixer - finish Copper Glossy

AVAILABLE FINISHES



M0.075

Copper Glossy



01.014

finish Matt White



01.093

finish Matt Black



21.018

finish Chrome



47.083

finish Groove Bronze



59.064

finish PVD Brushed Gun Metal



59.066

finish PVD Brushed steel



59.067

finish PVD Brushed Copper Bronze



59.097

finish PVD Brushed Gold



M0.070

finish Titanium Satin



M0.071

finish Gold Satin



M0.072

finish Copper Satin