

STEEL LINE

74225x.50.050

Single lever bidet mixer - finish Stainless Steel



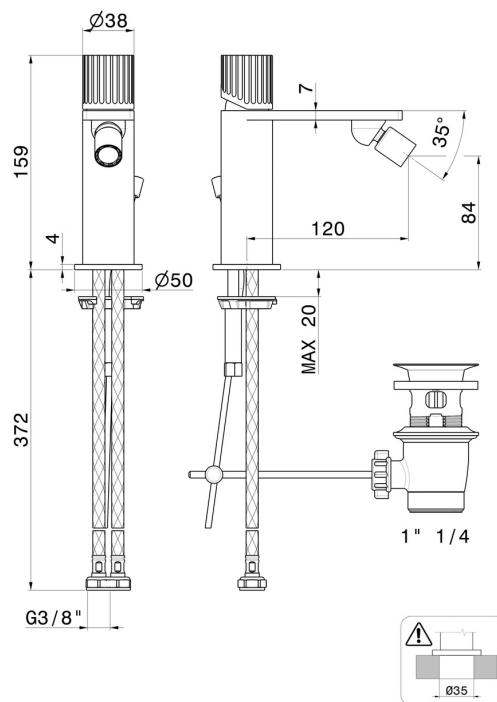
Stainless Steel



FEATURES

Material	Stainless Steel
Technology	Save Water
Installation	Freestanding
Hole type	Single hole
Control type	Single lever
Waste / Drain set	With waste set
Water mixing	Mechanical

TECHNICAL DRAWING





STEEL LINE

74225x.50.050

Single lever bidet mixer - finish Stainless Steel

AVAILABLE FINISHES

 **50.050**
Stainless Steel

 **59.064**
finish PVD Brushed Gun Metal

 **59.067**
finish PVD Brushed Copper Bronze

 **59.098**
finish PVD Brushed Pale Gold