

69681EX.50.050

Single lever mixer, hot and cold water, for personal hygiene and toilet. External part - finish Stainless Steel



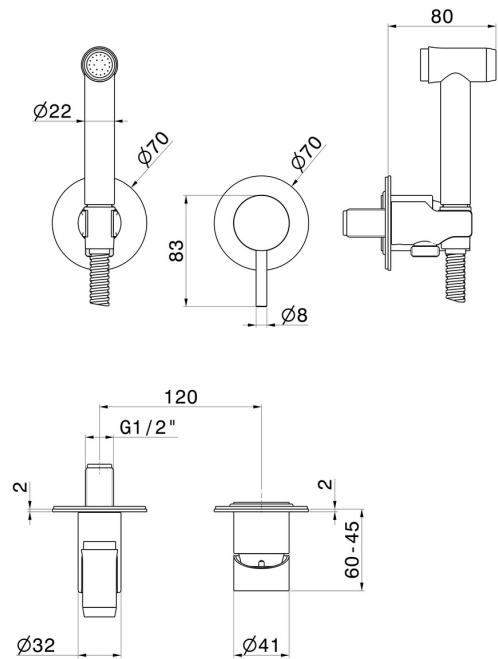
Stainless Steel



FEATURES

Material	Stainless Steel
Technology	Save Water
Installation	Wall concealed part
Control type	Single lever
Water mixing	Mechanical
Required for installation	<u>27852.00.000</u>

TECHNICAL DRAWING





69681EX.50.050

Single lever mixer, hot and cold water, for personal hygiene and toilet. External part - finish
Stainless Steel

AVAILABLE FINISHES



50.050

Stainless Steel



59.064

finish PVD Brushed Gun Metal



59.067

finish PVD Brushed Copper Bronze



59.097

finish PVD Brushed Gold



59.098

finish PVD Brushed Pale Gold