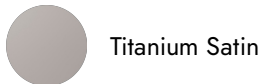


## 885.M0.070

Single lever mixer, hot and cold water, for personal hygiene and toilet. External part - finish Titanium Satin



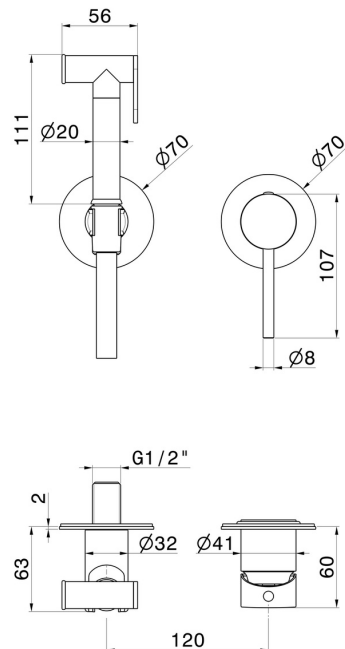
Titanium Satin




### FEATURES

Material	<b>Brass</b>
Technology	<b>Save Water</b>
Installation	<b>Wall concealed part</b>
Control type	<b>Single lever</b>
Water mixing	<b>Mechanical</b>
Required for installation	<b><u>27852.00.000</u></b>

### TECHNICAL DRAWING



 **AR Preview**  
try it in your home



**More Details**  
on our [website](#)



**885.M0.070**

Single lever mixer, hot and cold water, for personal hygiene and toilet. External part - finish Titanium Satin

**AVAILABLE FINISHES**

---



**M0.070**

Titanium Satin



**01.014**

finish Matt White



**01.093**

finish Matt Black



**21.018**

finish Chrome



**47.083**

finish Groove Bronze



**58.061**

finish PVD Copper Bronze



**58.063**

finish PVD Gun Metal



**59.064**

finish PVD Brushed Gun Metal



**59.066**

finish PVD Brushed steel



**59.097**

finish PVD Brushed Gold



**59.098**

finish PVD Brushed Pale Gold



**61.020**

finish PVD Glossy Gold



**AR Preview**  
try it in your home



**More Details**  
on our [website](#)



**MO.071**  
finish Gold Satin



**MO.072**  
finish Copper Satin



**MO.075**  
finish Copper Glossy



**MO.077**  
finish Carbon Satin



**AR Preview**  
try it in your home



**More Details**  
on our [website](#)