

885.M0.072

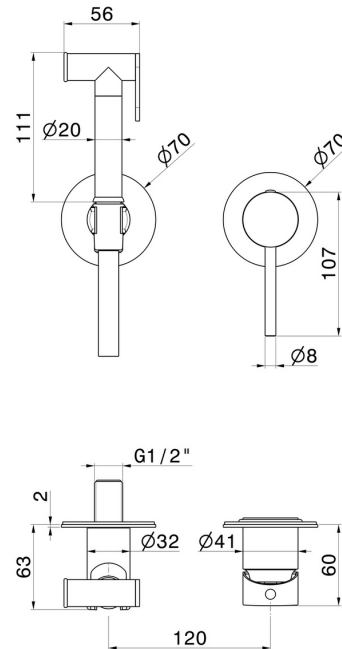
Single lever mixer, hot and cold water, for personal hygiene and toilet. External part - finish Copper Satin



FEATURES

Material	Brass
Technology	Save Water
Installation	Wall concealed part
Control type	Single lever
Water mixing	Mechanical
Required for installation	<u>27852.00.000</u>

TECHNICAL DRAWING





885.M0.072

Single lever mixer, hot and cold water, for personal hygiene and toilet. External part - finish Copper Satin

AVAILABLE FINISHES



M0.072

Copper Satin



01.014

finish Matt White



01.093

finish Matt Black



21.018

finish Chrome



47.083

finish Groove Bronze



58.061

finish PVD Copper Bronze



58.063

finish PVD Gun Metal



59.064

finish PVD Brushed Gun Metal



59.066

finish PVD Brushed steel



59.097

finish PVD Brushed Gold




59.098

finish PVD Brushed Pale Gold



61.020

finish PVD Glossy Gold

 **MO.070**
finish Titanium Satin

 **MO.071**
finish Gold Satin

 **MO.075**
finish Copper Glossy

 **MO.077**
finish Carbon Satin