

X-WAY

73928E.M0.070

Single lever wall mixer group - finish Titanium Satin

External part. Without pop-up waste set



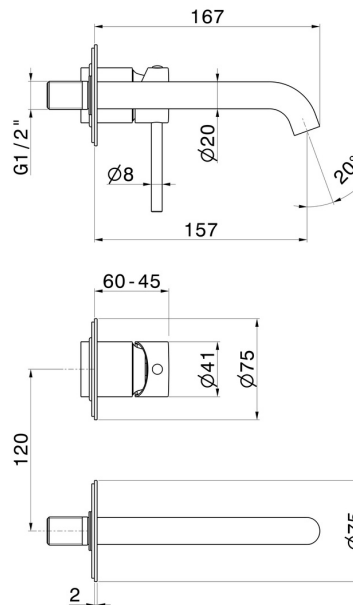
Titanium Satin



FEATURES

Material	Brass
Technology	Save Water
Installation	Wall mounted
Spout	Standard spout
Hole type	2 holes
Control type	Single lever
Waste / Drain set	Without waste set
Water mixing	Mechanical
Required for installation	<u>27852.00.000</u>

TECHNICAL DRAWING





X-WAY

73928E.M0.070

Single lever wall mixer group - finish Titanium Satin

AVAILABLE FINISHES



M0.070

Titanium Satin



01.014

finish Matt White



01.093

finish Matt Black



21.018

finish Chrome



47.083

finish Groove Bronze



59.064

finish PVD Brushed Gun Metal



59.066

finish PVD Brushed steel



59.067

finish PVD Brushed Copper Bronze



59.097

finish PVD Brushed Gold



M0.071

finish Gold Satin



M0.072

finish Copper Satin



M0.075

finish Copper Glossy