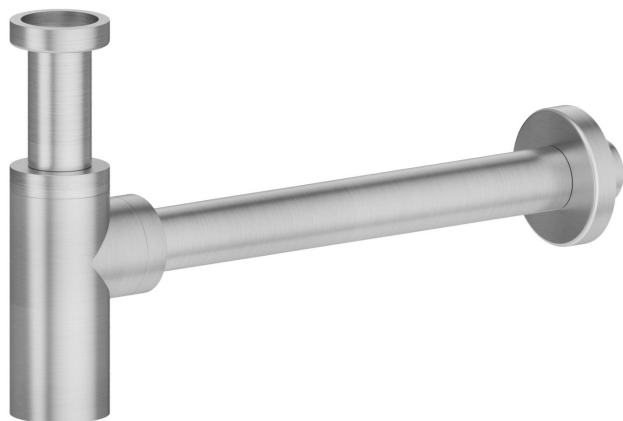


244X.50.050

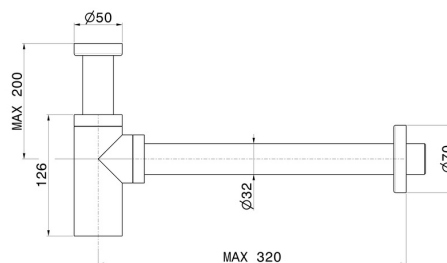
Stainless steel checking trap for basin. Adjustable height and fast connection - finish Stainless Steel



FEATURES

Material **Stainless Steel**

TECHNICAL DRAWING





244X.50.050

Stainless steel checking trap for basin. Adjustable height and fast connection - finish Stainless Steel

AVAILABLE FINISHES



50.050

Stainless Steel



59.064

finish PVD Brushed Gun Metal



59.067

finish PVD Brushed Copper Bronze



59.097

finish PVD Brushed Gold



59.098

finish PVD Brushed Pale Gold