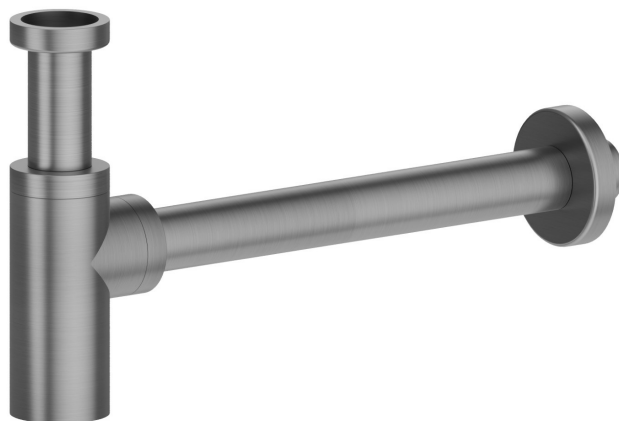


244X.59.064

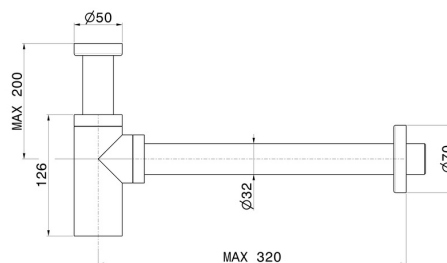
Stainless steel checking trap for basin. Adjustable height and fast connection - finish PVD Brushed Gun Metal



FEATURES

Material **Stainless Steel**

TECHNICAL DRAWING





244X.59.064

Stainless steel checking trap for basin. Adjustable height and fast connection - finish PVD Brushed Gun Metal

AVAILABLE FINISHES



59.064

PVD Brushed Gun Metal



50.050

finish Stainless Steel



59.067

finish PVD Brushed Copper Bronze



59.097

finish PVD Brushed Gold



59.098

finish PVD Brushed Pale Gold