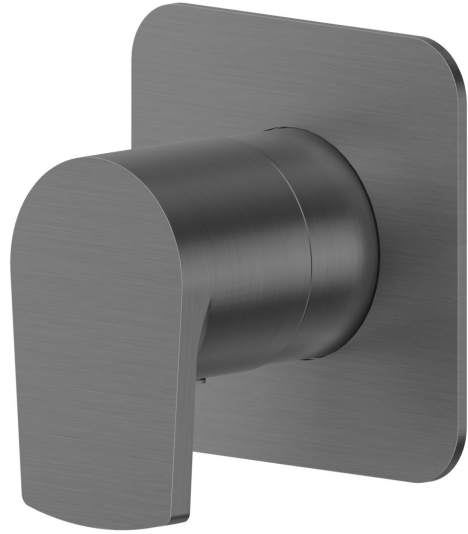


67690E.59.064

Stop valve. Ø75. External part - finish PVD Brushed Gun Metal



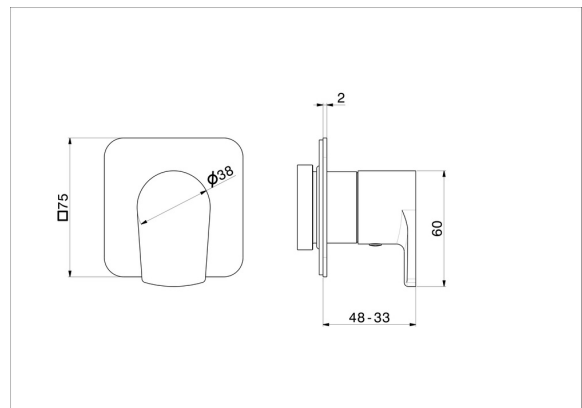
PVD Brushed Gun Metal



FEATURES

Material	Brass
Installation	Wall concealed part
Outlets	1 Way Out
Required for installation	<u>27891.00.000</u>
Required for installation	<u>27892.00.000</u>
Required for installation	<u>27893.00.000</u>
Required for installation	<u>27894.00.000</u>
Required for installation	<u>27895.00.000</u>

TECHNICAL DRAWING





67690E.59.064

Stop valve. Ø75. External part - finish PVD Brushed Gun Metal

AVAILABLE FINISHES



59.064

PVD Brushed Gun Metal



01.014

finish Matt White



01.093

finish Matt Black



21.018

finish Chrome



59.066

finish PVD Brushed steel



59.067

finish PVD Brushed Copper Bronze



59.097

finish PVD Brushed Gold