

67690E.59.066

Stop valve. Ø75. External part - finish PVD Brushed steel



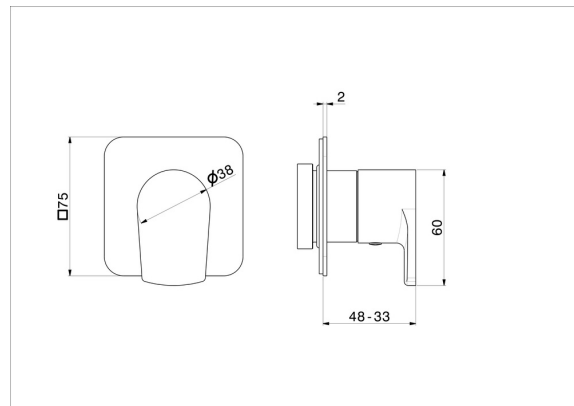
PVD Brushed steel



FEATURES

Material	Brass
Installation	Wall concealed part
Outlets	1 Way Out
Required for installation	<u>27891.00.000</u>
Required for installation	<u>27892.00.000</u>
Required for installation	<u>27893.00.000</u>
Required for installation	<u>27894.00.000</u>
Required for installation	<u>27895.00.000</u>

TECHNICAL DRAWING





67690E.59.066

Stop valve. Ø75. External part - finish PVD Brushed steel

AVAILABLE FINISHES



59.066

PVD Brushed steel



01.014

finish Matt White



01.093

finish Matt Black



21.018

finish Chrome



59.064

finish PVD Brushed Gun Metal



59.067

finish PVD Brushed Copper Bronze



59.097

finish PVD Brushed Gold