

69892E.01.014

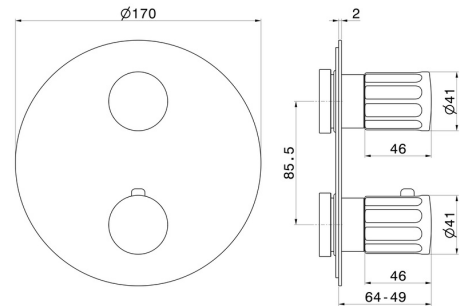
Thermostatic concealed mixer, to combine with a 3 ways out concealed diverter with stop. External part - finish Matt White

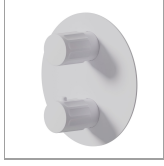


FEATURES

Material	Brass
Installation	Wall concealed part
Control type	Single lever
Diverter type	Mechanic diverter
Outlets	2 Ways Out
Water mixing	Thermostatic
Required for installation	<u>31061.00.000</u>
Required for installation	<u>31020.00.000</u>
Required for installation	<u>27888.00.000</u>

TECHNICAL DRAWING





69892E.01.014

Thermostatic concealed mixer, to combine with a 3 ways out concealed diverter with stop.
External part - finish Matt White

AVAILABLE FINISHES



01.014

Matt White



01.093

finish Matt Black



21.018

finish Chrome



59.064

finish PVD Brushed Gun Metal



59.066

finish PVD Brushed steel



59.067

finish PVD Brushed Copper Bronze



59.098

finish PVD Brushed Pale Gold



61.020

finish PVD Glossy Gold