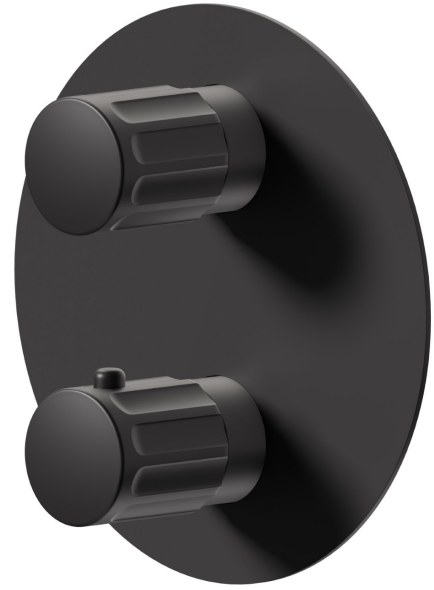


## 69892E.01.093

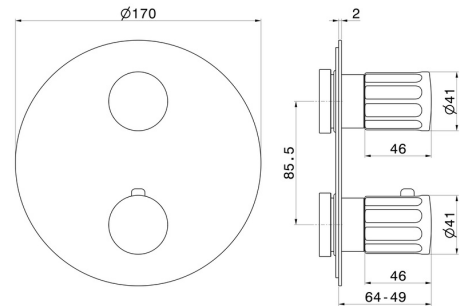
Thermostatic concealed mixer, to combine with a 3 ways out concealed diverter with stop. External part - finish Matt Black

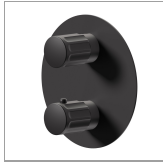


### FEATURES

Material	<b>Brass</b>
Installation	<b>Wall concealed part</b>
Control type	<b>Single lever</b>
Diverter type	<b>Mechanic diverter</b>
Outlets	<b>2 Ways Out</b>
Water mixing	<b>Thermostatic</b>
Required for installation	<b><u>31061.00.000</u></b>
Required for installation	<b><u>31020.00.000</u></b>
Required for installation	<b><u>27888.00.000</u></b>

### TECHNICAL DRAWING





**69892E.01.093**

Thermostatic concealed mixer, to combine with a 3 ways out concealed diverter with stop.  
External part - finish Matt Black

**AVAILABLE FINISHES**

---



**01.093**

Matt Black



**01.014**

finish Matt White



**21.018**

finish Chrome



**59.064**

finish PVD Brushed Gun Metal



**59.066**

finish PVD Brushed steel



**59.067**

finish PVD Brushed Copper Bronze



**59.098**

finish PVD Brushed Pale Gold



**61.020**

finish PVD Glossy Gold