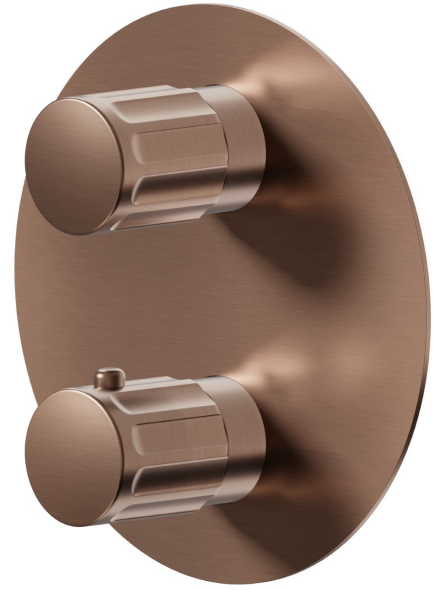


69892E.59.067

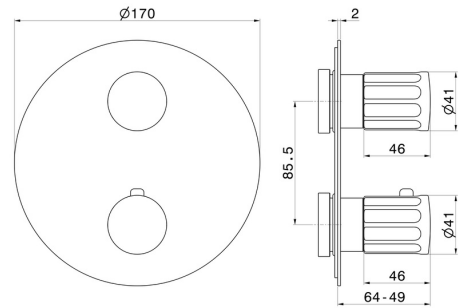
Thermostatic concealed mixer, to combine with a 3 ways out concealed diverter with stop. External part - finish PVD Brushed Copper Bronze

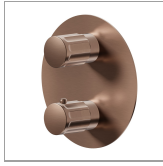


FEATURES

Material	Brass
Installation	Wall concealed part
Control type	Single lever
Diverter type	Mechanic diverter
Outlets	2 Ways Out
Water mixing	Thermostatic
Required for installation	<u>31061.00.000</u>
Required for installation	<u>31020.00.000</u>
Required for installation	<u>27888.00.000</u>

TECHNICAL DRAWING





69892E.59.067

Thermostatic concealed mixer, to combine with a 3 ways out concealed diverter with stop.
External part - finish PVD Brushed Copper Bronze

AVAILABLE FINISHES



59.067

PVD Brushed Copper Bronze



01.014

finish Matt White



01.093

finish Matt Black



21.018

finish Chrome



59.064

finish PVD Brushed Gun Metal



59.066

finish PVD Brushed steel



59.098

finish PVD Brushed Pale Gold



61.020

finish PVD Glossy Gold