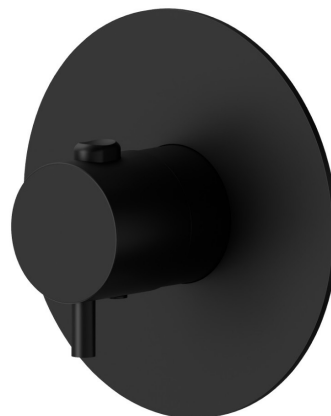


67607E.01.093

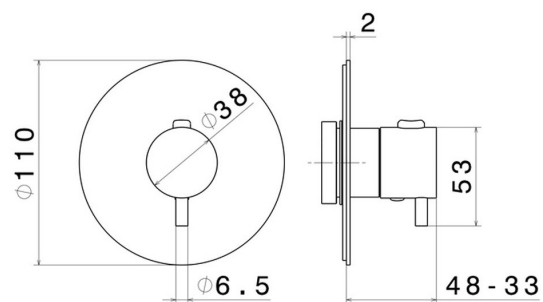
Thermostatic concealed mixer, to combine with a stop valve - finish Matt Black

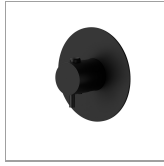


FEATURES

Material	Brass
Installation	Wall concealed part
Outlets	1 Way Out
Water mixing	Thermostatic
Required for installation	<u>27890.00.000</u>

TECHNICAL DRAWING





67607E.01.093

Thermostatic concealed mixer, to combine with a stop valve - finish Matt Black

AVAILABLE FINISHES



01.093

Matt Black



01.014

finish Matt White



21.018

finish Chrome



47.083

finish Groove Bronze



58.061

finish PVD Copper Bronze



58.063

finish PVD Gun Metal



59.064

finish PVD Brushed Gun Metal



59.066

finish PVD Brushed steel



59.067

finish PVD Brushed Copper Bronze



59.097

finish PVD Brushed Gold



59.098

finish PVD Brushed Pale Gold



61.020

finish PVD Glossy Gold

 **M0.070**
finish Titanium Satin

 **M0.071**
finish Gold Satin

 **M0.072**
finish Copper Satin

 **M0.075**
finish Copper Glossy

 **M0.077**
finish Carbon Satin