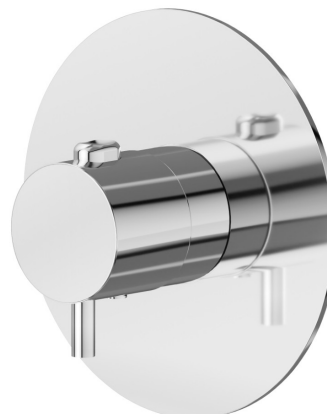


67607E.21.018

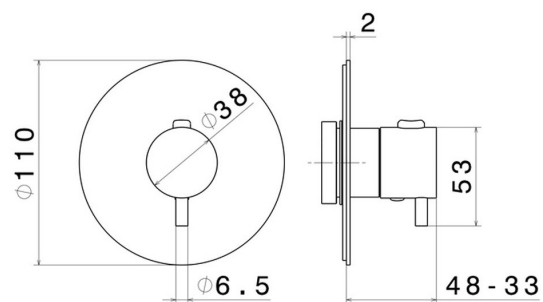
Thermostatic concealed mixer, to combine with a stop valve -
finish Chrome



FEATURES

Material	Brass
Installation	Wall concealed part
Outlets	1 Way Out
Water mixing	Thermostatic
Required for installation	<u>27890.00.000</u>

TECHNICAL DRAWING





67607E.21.018

Thermostatic concealed mixer, to combine with a stop valve - finish Chrome

AVAILABLE FINISHES



21.018
Chrome



01.014
finish Matt White



01.093
finish Matt Black



47.083
finish Groove Bronze



58.061
finish PVD Copper Bronze



58.063
finish PVD Gun Metal



59.064
finish PVD Brushed Gun Metal



59.066
finish PVD Brushed steel



59.067
finish PVD Brushed Copper Bronze



59.097
finish PVD Brushed Gold



59.098
finish PVD Brushed Pale Gold



61.020
finish PVD Glossy Gold

 **M0.070**
finish Titanium Satin

 **M0.071**
finish Gold Satin

 **M0.072**
finish Copper Satin

 **M0.075**
finish Copper Glossy

 **M0.077**
finish Carbon Satin