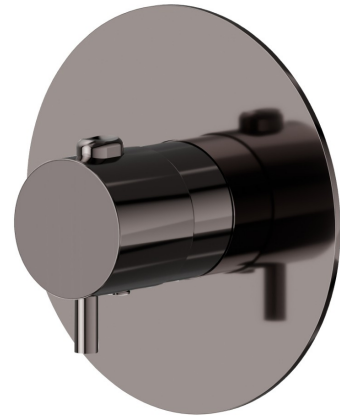


67607E.58.063

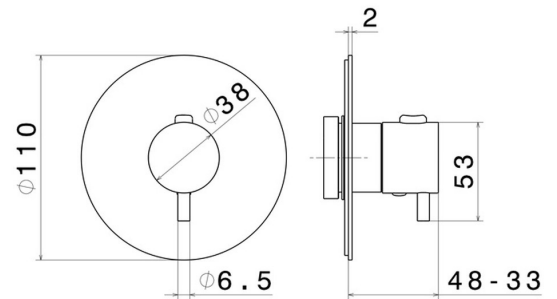
Thermostatic concealed mixer, to combine with a stop valve - finish PVD Gun Metal



FEATURES

Material	Brass
Installation	Wall concealed part
Outlets	1 Way Out
Water mixing	Thermostatic
Required for installation	<u>27890.00.000</u>

TECHNICAL DRAWING





67607E.58.063

Thermostatic concealed mixer, to combine with a stop valve - finish PVD Gun Metal

AVAILABLE FINISHES



58.063

PVD Gun Metal



01.014

finish Matt White



01.093

finish Matt Black



21.018

finish Chrome



47.083

finish Groove Bronze



58.061

finish PVD Copper Bronze



59.064

finish PVD Brushed Gun Metal



59.066

finish PVD Brushed steel



59.067

finish PVD Brushed Copper Bronze



59.097

finish PVD Brushed Gold



59.098

finish PVD Brushed Pale Gold



61.020

finish PVD Glossy Gold

 **M0.070**
finish Titanium Satin

 **M0.071**
finish Gold Satin

 **M0.072**
finish Copper Satin

 **M0.075**
finish Copper Glossy

 **M0.077**
finish Carbon Satin