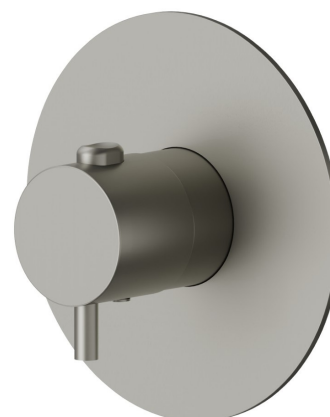


67607E.M0.070

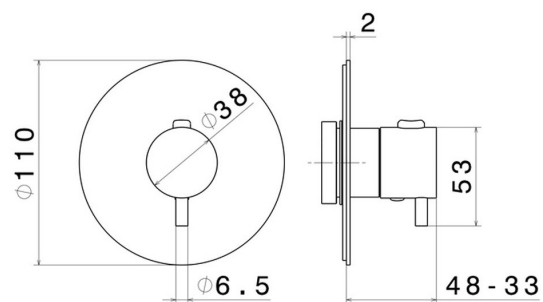
Thermostatic concealed mixer, to combine with a stop valve -
finish Titanium Satin



FEATURES

Material	Brass
Installation	Wall concealed part
Outlets	1 Way Out
Water mixing	Thermostatic
Required for installation	<u>27890.00.000</u>

TECHNICAL DRAWING





67607E.M0.070

Thermostatic concealed mixer, to combine with a stop valve - finish Titanium Satin

AVAILABLE FINISHES



M0.070

Titanium Satin



01.014

finish Matt White



01.093

finish Matt Black



21.018

finish Chrome



47.083

finish Groove Bronze



58.061

finish PVD Copper Bronze



58.063

finish PVD Gun Metal



59.064

finish PVD Brushed Gun Metal



59.066

finish PVD Brushed steel



59.067

finish PVD Brushed Copper Bronze



59.097

finish PVD Brushed Gold



59.098

finish PVD Brushed Pale Gold



61.020
finish PVD Glossy Gold



M0.071
finish Gold Satin



M0.072
finish Copper Satin



M0.075
finish Copper Glossy



M0.077
finish Carbon Satin