

# ERGO-Q

## 67691E.01.014

Thermostatic concealed mixer, to combine with a stop valve - finish Matt White

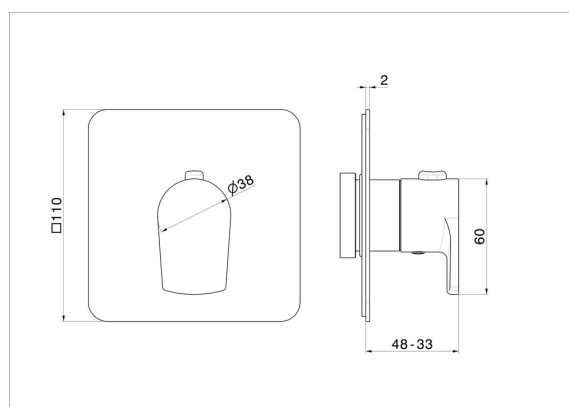
External part



### FEATURES

Material	<b>Brass</b>
Installation	<b>Wall concealed part</b>
Outlets	<b>1 Way Out</b>
Water mixing	<b>Thermostatic</b>
Required for installation	<b><u>27890.00.000</u></b>

### TECHNICAL DRAWING





**ERGO-Q**

**67691E.01.014**

Thermostatic concealed mixer, to combine with a stop valve - finish Matt White

**AVAILABLE FINISHES**

---



**01.014**

Matt White



**01.093**

finish Matt Black



**21.018**

finish Chrome



**59.064**

finish PVD Brushed Gun Metal



**59.066**

finish PVD Brushed steel



**59.067**

finish PVD Brushed Copper Bronze



**59.097**

finish PVD Brushed Gold