

ERGO-Q

67691E.21.018

Thermostatic concealed mixer, to combine with a stop valve - finish Chrome

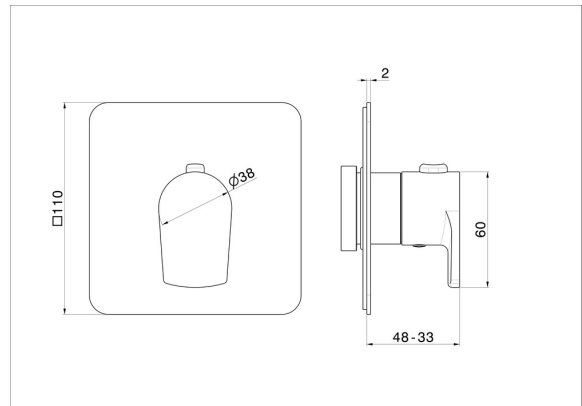
External part



FEATURES

Material	Brass
Installation	Wall concealed part
Outlets	1 Way Out
Water mixing	Thermostatic
Required for installation	<u>27890.00.000</u>

TECHNICAL DRAWING





ERGO-Q

67691E.21.018

Thermostatic concealed mixer, to combine with a stop valve - finish Chrome

AVAILABLE FINISHES



21.018

Chrome



01.014

finish Matt White



01.093

finish Matt Black



59.064

finish PVD Brushed Gun Metal



59.066

finish PVD Brushed steel



59.067

finish PVD Brushed Copper Bronze



59.097

finish PVD Brushed Gold