

ERGO-Q

67691E.59.067

Thermostatic concealed mixer, to combine with a stop valve -
finish PVD Brushed Copper Bronze

External part



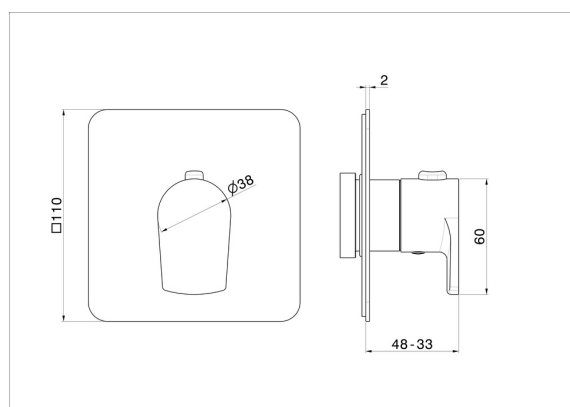
PVD Brushed Copper Bronze



FEATURES

Material	Brass
Installation	Wall concealed part
Outlets	1 Way Out
Water mixing	Thermostatic
Required for installation	<u>27890.00.000</u>

TECHNICAL DRAWING





ERGO-Q

67691E.59.067

Thermostatic concealed mixer, to combine with a stop valve - finish PVD Brushed Copper Bronze

AVAILABLE FINISHES



59.067

PVD Brushed Copper Bronze



01.014

finish Matt White



01.093

finish Matt Black



21.018

finish Chrome



59.064

finish PVD Brushed Gun Metal



59.066

finish PVD Brushed steel



59.097

finish PVD Brushed Gold