

69807E.05.093

Thermostatic concealed mixer, to combine with a stop valve - finish Chrome - Matt Black

External part.



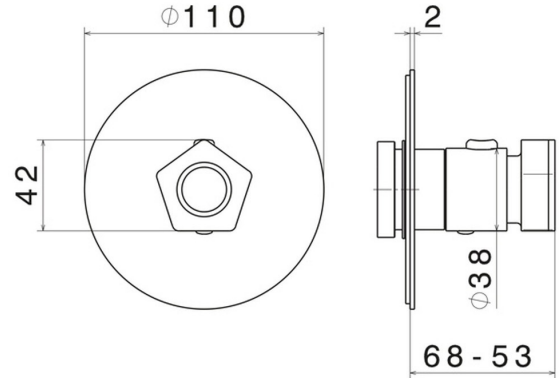
Chrome - Matt Black



FEATURES

Material	Brass
Installation	Wall concealed part
Control type	Single lever
Outlets	1 Way Out
Water mixing	Thermostatic - Thermostatic - Thermostatic
Required for installation	<u>27890.00.000</u>

TECHNICAL DRAWING





69807E.05.093

Thermostatic concealed mixer, to combine with a stop valve - finish Chrome - Matt Black

AVAILABLE FINISHES



05.093

Chrome - Matt Black



62.093

finish PVD Glossy Gold - Matt Black