

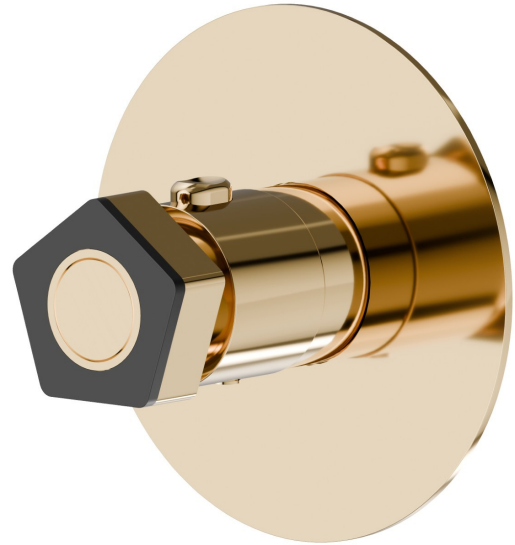
69807E.62.093

Thermostatic concealed mixer, to combine with a stop valve - finish PVD Glossy Gold - Matt Black

External part.



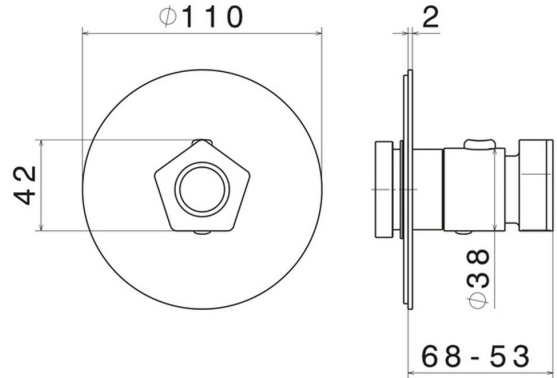
PVD Glossy Gold - Matt Black



FEATURES

Material	Brass
Installation	Wall concealed part
Control type	Single lever
Outlets	1 Way Out
Water mixing	Thermostatic - Thermostatic - Thermostatic
Required for installation	<u>27890.00.000</u>

TECHNICAL DRAWING





69807E.62.093

Thermostatic concealed mixer, to combine with a stop valve - finish PVD Glossy Gold - Matt Black

AVAILABLE FINISHES



62.093

PVD Glossy Gold - Matt Black



05.093

finish Chrome - Matt Black