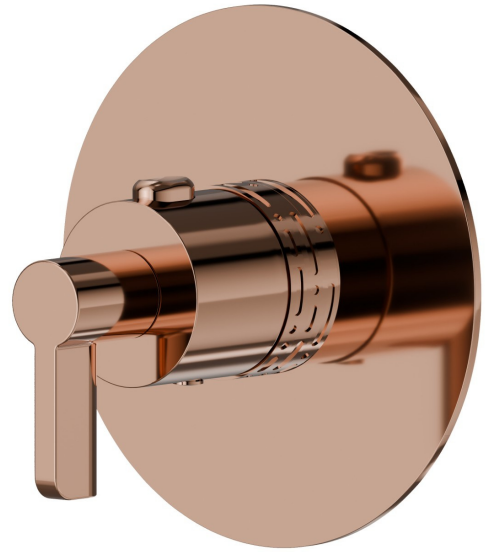


73427E.58.061

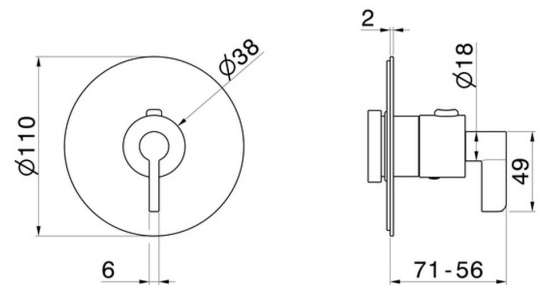
Thermostatic concealed mixer, to combine with a stop valve.
External part. Ø110. LUXURY - finish PVD Copper Bronze

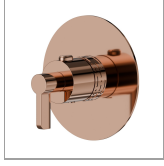


FEATURES

Material	Brass
Installation	Wall concealed part
Outlets	1 Way Out
Water mixing	Thermostatic
Required for installation	<u>27890.00.000</u>

TECHNICAL DRAWING





73427E.58.061

Thermostatic concealed mixer, to combine with a stop valve. External part. Ø110. LUXURY - finish PVD Copper Bronze

AVAILABLE FINISHES



58.061

PVD Copper Bronze



01.093

finish Matt Black



21.018

finish Chrome



47.083

finish Groove Bronze



58.063

finish PVD Gun Metal



59.098

finish PVD Brushed Pale Gold



61.020

finish PVD Glossy Gold