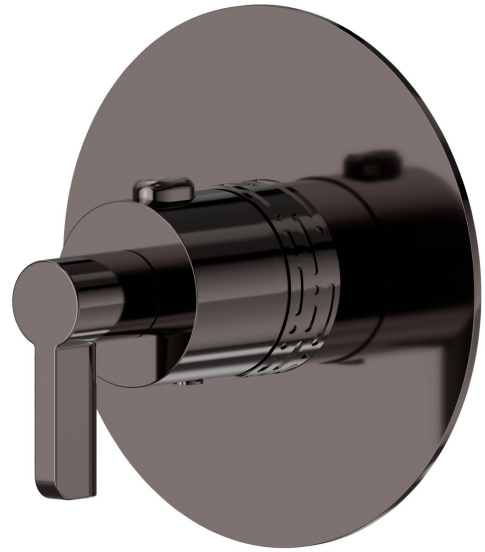


73427E.58.063

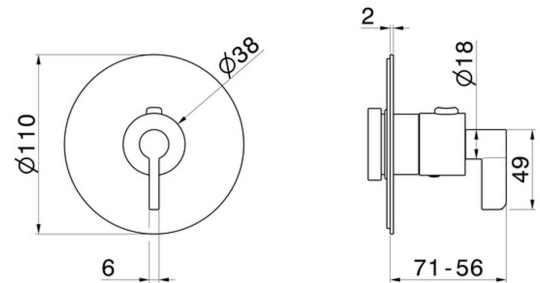
Thermostatic concealed mixer, to combine with a stop valve.
External part. Ø110. LUXURY - finish PVD Gun Metal

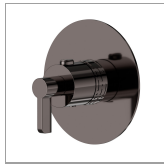


FEATURES

Material	Brass
Installation	Wall concealed part
Outlets	1 Way Out
Water mixing	Thermostatic
Required for installation	<u>27890.00.000</u>

TECHNICAL DRAWING





73427E.58.063

Thermostatic concealed mixer, to combine with a stop valve. External part. Ø110. LUXURY - finish PVD Gun Metal

AVAILABLE FINISHES



58.063

PVD Gun Metal



01.093

finish Matt Black



21.018

finish Chrome



47.083

finish Groove Bronze



58.061

finish PVD Copper Bronze



59.098

finish PVD Brushed Pale Gold



61.020

finish PVD Glossy Gold