

69852E.66.019

Thermostatic concealed mixer, to combine with a stop valve.
External part - finish Gold

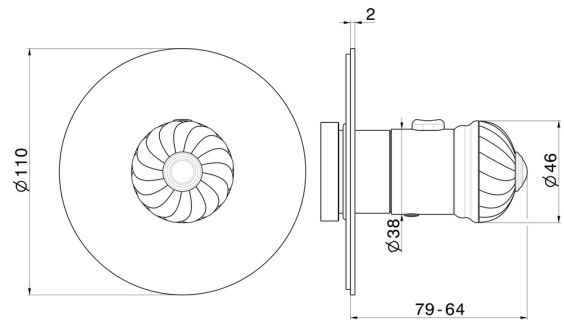
External part



FEATURES

Material	Brass
Installation	Wall concealed part
Control type	Single lever
Outlets	1 Way Out
Water mixing	Thermostatic
Required for installation	<u>27890.00.000</u>

TECHNICAL DRAWING





69852E.66.019

Thermostatic concealed mixer, to combine with a stop valve. External part - finish Gold

AVAILABLE FINISHES



66.019
Gold



21.018
finish Chrome