

69856E.58.061

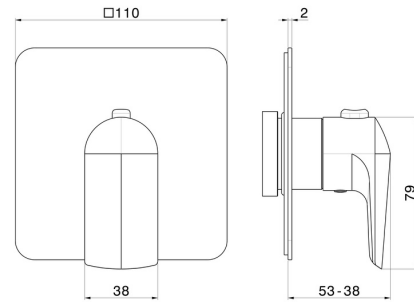
Thermostatic concealed mixer, to combine with a stop valve.
External part - finish PVD Copper Bronze



FEATURES

Material	Brass
Installation	Wall concealed part
Control type	Single lever
Outlets	1 Way Out
Water mixing	Thermostatic
Required for installation	<u>27890.00.000</u>

TECHNICAL DRAWING





69856E.58.061

Thermostatic concealed mixer, to combine with a stop valve. External part - finish PVD Copper Bronze

AVAILABLE FINISHES



58.061

PVD Copper Bronze



01.014

finish Matt White



01.093

finish Matt Black



21.018

finish Chrome



58.063

finish PVD Gun Metal



59.064

finish PVD Brushed Gun Metal



59.067

finish PVD Brushed Copper Bronze



59.097

finish PVD Brushed Gold



61.020

finish PVD Glossy Gold