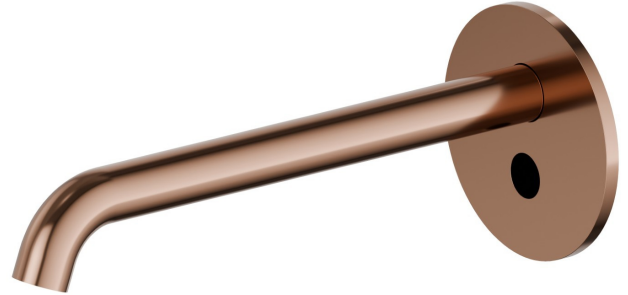


# SENSITIVE

## 66709E.58.061

Wall mounted basin spout. With stop valves to regulate flow and temperature - finish PVD Copper Bronze

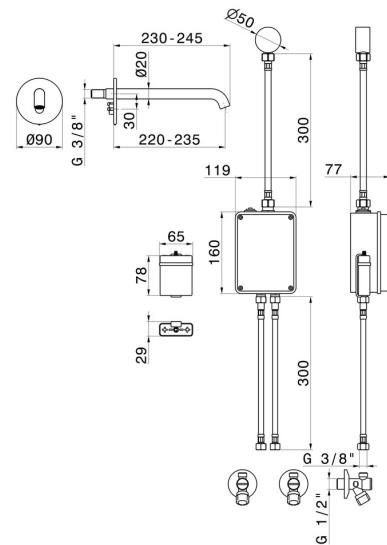
External part. Infrared controller with manually 'ON-OFF' opening, equipped with security stop at 30 seconds. External part



### FEATURES

Material	<b>Brass</b>
Technology	<b>Save Water</b>
Installation	<b>Wall concealed part</b>
Hole type	<b>Single hole</b>
Water mixing	<b>Mechanical</b>
Required for installation	<b><u>31074.00.000</u></b>

### TECHNICAL DRAWING





**SENSITIVE**

**66709E.58.061**

Wall mounted basin spout. With stop valves to regulate flow and temperature - finish PVD Copper Bronze

**AVAILABLE FINISHES**

---



**58.061**

PVD Copper Bronze



**01.014**

finish Matt White



**01.093**

finish Matt Black



**21.018**

finish Chrome



**47.083**

finish Groove Bronze



**58.063**

finish PVD Gun Metal



**59.064**

finish PVD Brushed Gun Metal



**59.066**

finish PVD Brushed steel



**59.067**

finish PVD Brushed Copper Bronze



**59.097**

finish PVD Brushed Gold



**59.098**

finish PVD Brushed Pale Gold



**61.020**

finish PVD Glossy Gold

 **M0.070**  
finish Titanium Satin

 **M0.071**  
finish Gold Satin

 **M0.072**  
finish Copper Satin

 **M0.075**  
finish Copper Glossy

 **M0.077**  
finish Carbon Satin