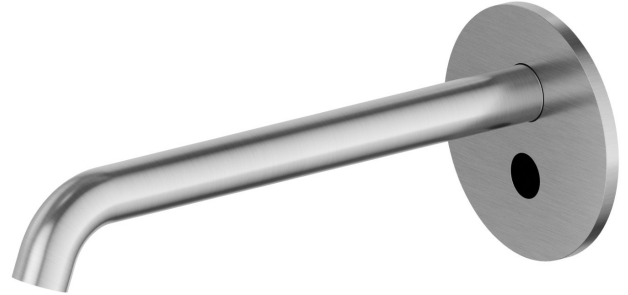


# SENSITIVE

**66709E.59.066**

Wall mounted basin spout. With stop valves to regulate flow and temperature - finish PVD Brushed steel

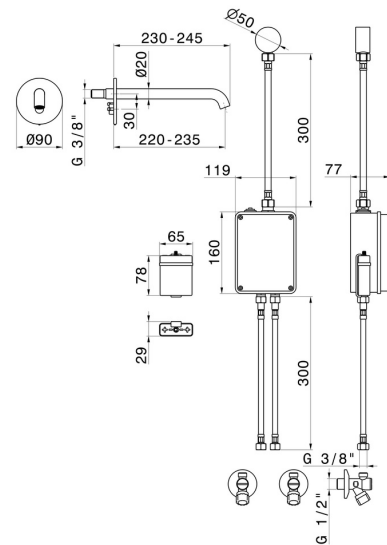
External part. Infrared controller with manually 'ON-OFF' opening, equipped with security stop at 30 seconds. External part



## FEATURES

|                           |                            |
|---------------------------|----------------------------|
| Material                  | <b>Brass</b>               |
| Technology                | <b>Save Water</b>          |
| Installation              | <b>Wall concealed part</b> |
| Hole type                 | <b>Single hole</b>         |
| Water mixing              | <b>Mechanical</b>          |
| Required for installation | <b><u>31074.00.000</u></b> |

## TECHNICAL DRAWING





**SENSITIVE**

**66709E.59.066**

Wall mounted basin spout. With stop valves to regulate flow and temperature - finish PVD  
Brushed steel

**AVAILABLE FINISHES**

---



**59.066**

PVD Brushed steel



**01.014**

finish Matt White



**01.093**

finish Matt Black



**21.018**

finish Chrome



**47.083**

finish Groove Bronze



**58.061**

finish PVD Copper Bronze



**58.063**

finish PVD Gun Metal



**59.064**

finish PVD Brushed Gun Metal



**59.067**

finish PVD Brushed Copper Bronze



**59.097**

finish PVD Brushed Gold



**59.098**

finish PVD Brushed Pale Gold



**61.020**

finish PVD Glossy Gold

 **M0.070**  
finish Titanium Satin

 **M0.071**  
finish Gold Satin

 **M0.072**  
finish Copper Satin

 **M0.075**  
finish Copper Glossy

 **M0.077**  
finish Carbon Satin