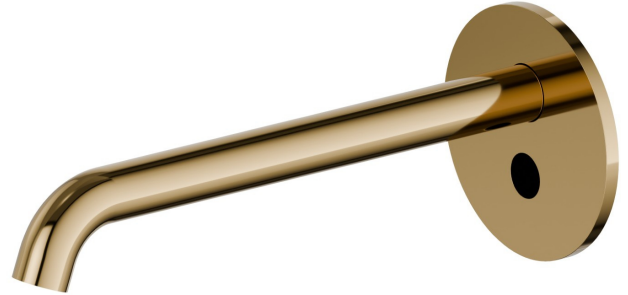


SENSITIVE

66709E.61.020

Wall mounted basin spout. With stop valves to regulate flow and temperature - finish PVD Glossy Gold

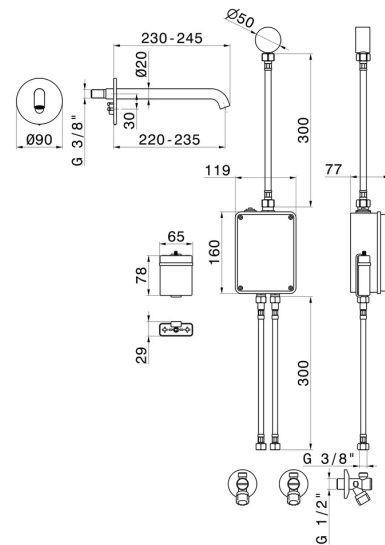
External part. Infrared controller with manually 'ON-OFF' opening, equipped with security stop at 30 seconds. External part



FEATURES

| | |
|---------------------------|----------------------------|
| Material | Brass |
| Technology | Save Water |
| Installation | Wall concealed part |
| Hole type | Single hole |
| Water mixing | Mechanical |
| Required for installation | <u>31074.00.000</u> |

TECHNICAL DRAWING





SENSITIVE

66709E.61.020

Wall mounted basin spout. With stop valves to regulate flow and temperature - finish PVD Glossy Gold

AVAILABLE FINISHES



61.020

PVD Glossy Gold



01.014

finish Matt White



01.093

finish Matt Black



21.018

finish Chrome



47.083

finish Groove Bronze



58.061

finish PVD Copper Bronze



58.063

finish PVD Gun Metal



59.064

finish PVD Brushed Gun Metal



59.066

finish PVD Brushed steel



59.067

finish PVD Brushed Copper Bronze



59.097

finish PVD Brushed Gold



59.098

finish PVD Brushed Pale Gold

 **M0.070**
finish Titanium Satin

 **M0.071**
finish Gold Satin

 **M0.072**
finish Copper Satin

 **M0.075**
finish Copper Glossy

 **M0.077**
finish Carbon Satin