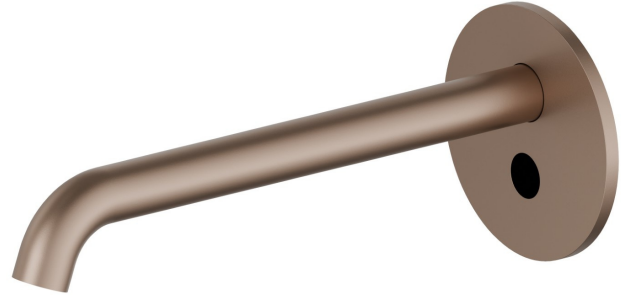


SENSITIVE

66709E.M0.072

Wall mounted basin spout. With stop valves to regulate flow and temperature - finish Copper Satin

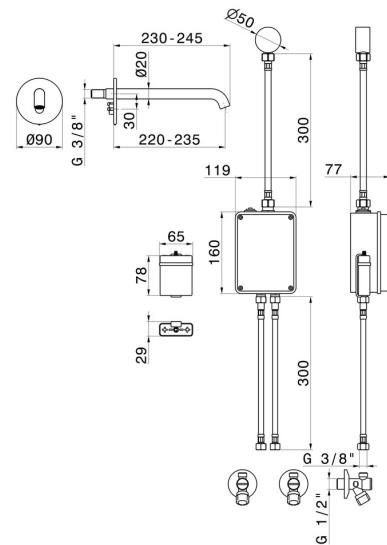
External part. Infrared controller with manually 'ON-OFF' opening, equipped with security stop at 30 seconds. External part



FEATURES

Material	Brass
Technology	Save Water
Installation	Wall concealed part
Hole type	Single hole
Water mixing	Mechanical
Required for installation	<u>31074.00.000</u>

TECHNICAL DRAWING





SENSITIVE

66709E.M0.072

Wall mounted basin spout. With stop valves to regulate flow and temperature - finish Copper Satin

AVAILABLE FINISHES



M0.072

Copper Satin



01.014

finish Matt White



01.093

finish Matt Black



21.018

finish Chrome



47.083

finish Groove Bronze



58.061

finish PVD Copper Bronze



58.063

finish PVD Gun Metal



59.064

finish PVD Brushed Gun Metal



59.066

finish PVD Brushed steel



59.067

finish PVD Brushed Copper Bronze



59.097

finish PVD Brushed Gold



59.098

finish PVD Brushed Pale Gold

 **61.020**
finish PVD Glossy Gold

 **M0.070**
finish Titanium Satin

 **M0.071**
finish Gold Satin

 **M0.075**
finish Copper Glossy

 **M0.077**
finish Carbon Satin