

# SENSITIVE

## 66709E.M0.077

Wall mounted basin spout. With stop valves to regulate flow and temperature - finish Carbon Satin

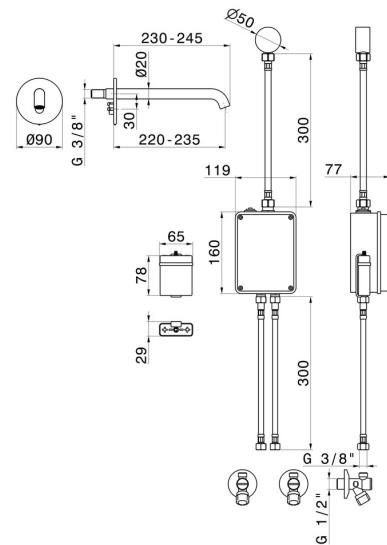
External part. Infrared controller with manually 'ON-OFF' opening, equipped with security stop at 30 seconds. External part



### FEATURES

Material	<b>Brass</b>
Technology	<b>Save Water</b>
Installation	<b>Wall concealed part</b>
Hole type	<b>Single hole</b>
Water mixing	<b>Mechanical</b>
Required for installation	<b><u>31074.00.000</u></b>

### TECHNICAL DRAWING





**SENSITIVE**

**66709E.M0.077**

Wall mounted basin spout. With stop valves to regulate flow and temperature - finish Carbon Satin

**AVAILABLE FINISHES**

---



**M0.077**

Carbon Satin



**01.014**

finish Matt White



**01.093**

finish Matt Black



**21.018**

finish Chrome



**47.083**

finish Groove Bronze



**58.061**

finish PVD Copper Bronze



**58.063**

finish PVD Gun Metal



**59.064**

finish PVD Brushed Gun Metal



**59.066**

finish PVD Brushed steel



**59.067**

finish PVD Brushed Copper Bronze



**59.097**

finish PVD Brushed Gold



**59.098**

finish PVD Brushed Pale Gold



**61.020**

finish PVD Glossy Gold



**M0.070**

finish Titanium Satin



**M0.071**

finish Gold Satin



**M0.072**

finish Copper Satin



**M0.075**

finish Copper Glossy