

IONIKA ACCESSORIES

73511.01.014

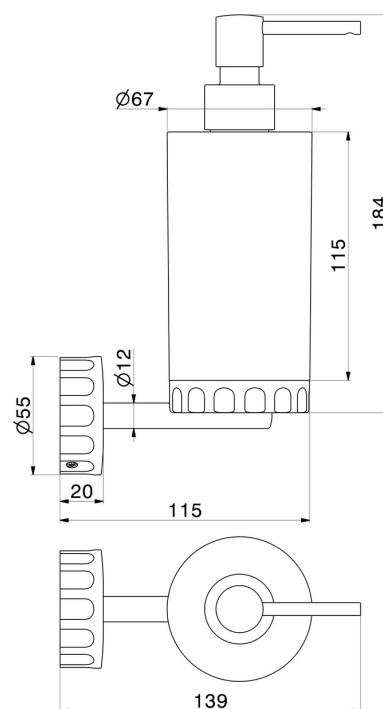
Wall-mounted soap dispenser. Black resin - finish Matt White



FEATURES

Material	Resin
Installation	Wall mounted

TECHNICAL DRAWING





IONIKA ACCESSORIES

73511.01.014

Wall-mounted soap dispenser. Black resin - finish Matt White

AVAILABLE FINISHES



01.014

Matt White



01.093

finish Matt Black



21.018

finish Chrome



59.064

finish PVD Brushed Gun Metal



59.066

finish PVD Brushed steel



59.067

finish PVD Brushed Copper Bronze



59.098

finish PVD Brushed Pale Gold



61.020

finish PVD Glossy Gold