

IONIKA ACCESSORIES

73511.21.018

Wall-mounted soap dispenser. Black resin - finish Chrome



Chrome

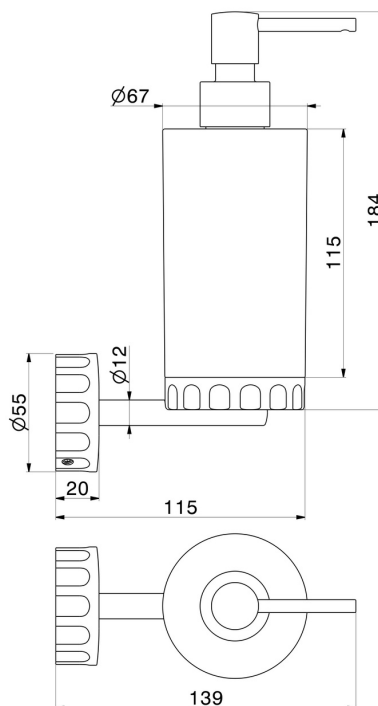


FEATURES

Material
Installation

Resin
Wall mounted

TECHNICAL DRAWING





IONIKA ACCESSORIES

73511.21.018

Wall-mounted soap dispenser. Black resin - finish Chrome

AVAILABLE FINISHES



21.018

Chrome



01.014

finish Matt White



01.093

finish Matt Black



59.064

finish PVD Brushed Gun Metal



59.066

finish PVD Brushed steel



59.067

finish PVD Brushed Copper Bronze



59.098

finish PVD Brushed Pale Gold



61.020

finish PVD Glossy Gold