

IONIKA

72838.59.066

Wall spout for basin group with special 1/2" connection to pre-built-in - finish PVD Brushed steel

L=230 mm



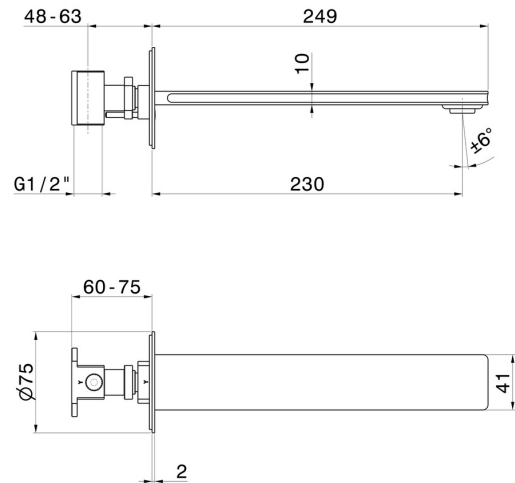
PVD Brushed steel



FEATURES

Material	Brass
Technology	Save Water
Installation	Wall mounted
Hole type	Single hole

TECHNICAL DRAWING





IONIKA

72838.59.066

Wall spout for basin group with special 1/2" connection to pre-built-in - finish PVD Brushed steel

AVAILABLE FINISHES



59.066

PVD Brushed steel



01.014

finish Matt White



01.093

finish Matt Black



21.018

finish Chrome



59.064

finish PVD Brushed Gun Metal



59.067

finish PVD Brushed Copper Bronze



59.098

finish PVD Brushed Pale Gold



61.020

finish PVD Glossy Gold