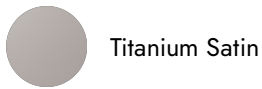


SENSITIVE

66710.M0.070

Washbasin tap with manually-adjustable mixing device by stop valves included - finish Titanium Satin

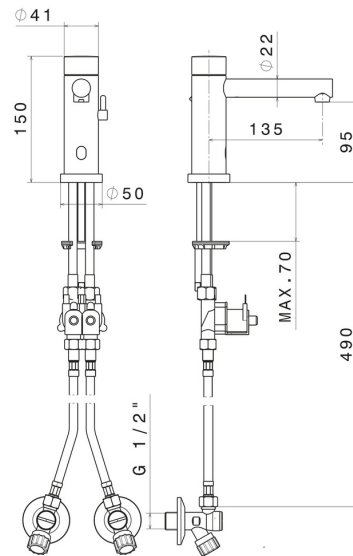
Infrared controller with manually 'ON-OFF' opening, with security stop at 30 seconds.



FEATURES

Material	Brass
Technology	Save Water
Installation	Freestanding
Hole type	Single hole
Water mixing	Mechanical

TECHNICAL DRAWING





SENSITIVE

66710.M0.070

Washbasin tap with manually-adjustable mixing device by stop valves included - finish Titanium Satin

AVAILABLE FINISHES



M0.070

Titanium Satin



01.014

finish Matt White



01.093

finish Matt Black



21.018

finish Chrome



47.083

finish Groove Bronze



58.061

finish PVD Copper Bronze



58.063

finish PVD Gun Metal



59.064

finish PVD Brushed Gun Metal



59.066

finish PVD Brushed steel



59.067

finish PVD Brushed Copper Bronze



59.097

finish PVD Brushed Gold



59.098

finish PVD Brushed Pale Gold



61.020

finish PVD Glossy Gold



M0.071

finish Gold Satin



M0.072

finish Copper Satin



M0.075

finish Copper Glossy



M0.077

finish Carbon Satin