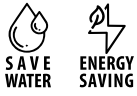


# ALKIMIA

## 73301.01.093

Water filtration and cooling system without CO<sub>2</sub> cylinder - finish Matt Black

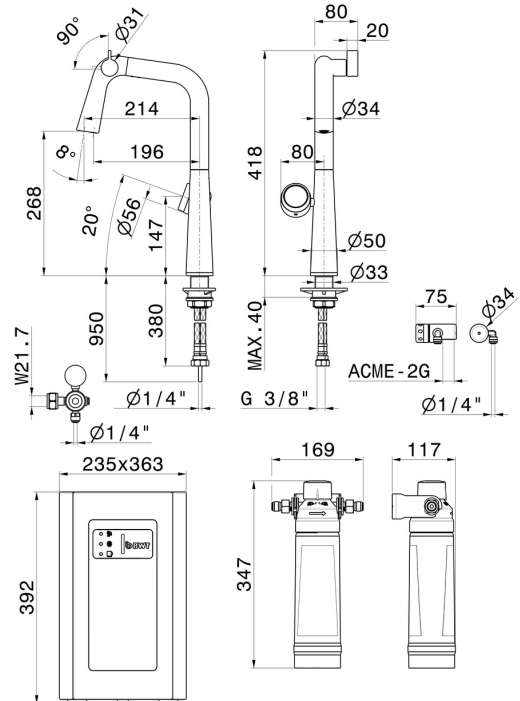
Including: - Sink mixer tap with electronic control; - Carbonated water cooler; - AQA drink AC 100 filter cartridge; - AQA drink MMW nozzle; - CO<sub>2</sub> pressure reducer kit for cylinder with W21.7 joint and 1/4" connection, with max. 4 bar pressure gauge; - CO



### FEATURES

Material	<b>Brass</b>
Technology	<b>Energy Saving - Save Water</b>
Installation	<b>Freestanding</b>
Control type	<b>Electronic remote control</b>

### TECHNICAL DRAWING





**ALKIMIA**

**73301.01.093**

Water filtration and cooling system without CO<sub>2</sub> cylinder - finish Matt Black

**AVAILABLE FINISHES**

---



**01.093**

Matt Black



**01.014**

finish Matt White



**21.018**

finish Chrome



**59.064**

finish PVD Brushed Gun Metal



**59.066**

finish PVD Brushed steel



**59.067**

finish PVD Brushed Copper Bronze



**59.098**

finish PVD Brushed Pale Gold



**M0.077**

finish Carbon Satin



**S0.165**

finish Soft Eucalypt



**S0.166**

finish Soft Cortex



**S0.167**

finish Soft Maple



**S0.169**

finish Soft Navy