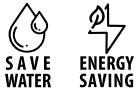


ALKIMIA

73301.M0.077

Water filtration and cooling system without CO₂ cylinder - finish Carbon Satin

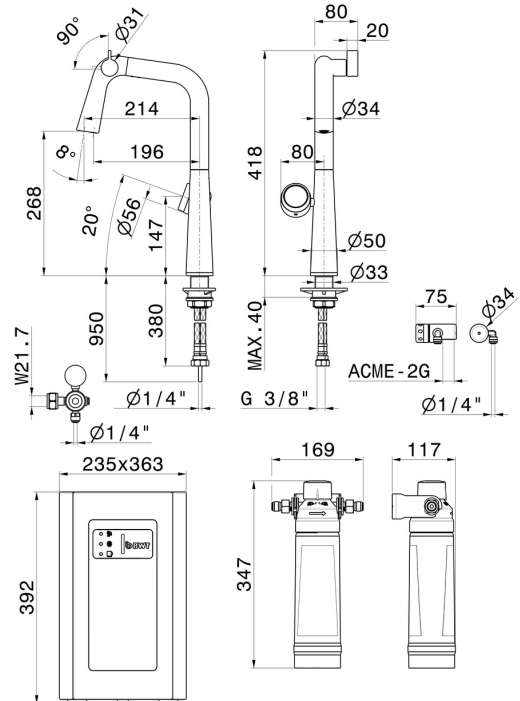
Including: - Sink mixer tap with electronic control; - Carbonated water cooler; - AQA drink AC 100 filter cartridge; - AQA drink MMW nozzle; - CO₂ pressure reducer kit for cylinder with W21.7 joint and 1/4" connection, with max. 4 bar pressure gauge; - CO



FEATURES

- | | |
|--------------|-----------------------------------|
| Material | Brass |
| Technology | Energy Saving - Save Water |
| Installation | Freestanding |
| Control type | Electronic remote control |

TECHNICAL DRAWING





ALKIMIA

73301.M0.077

Water filtration and cooling system without CO₂ cylinder - finish Carbon Satin

AVAILABLE FINISHES



M0.077

Carbon Satin



01.014

finish Matt White



01.093

finish Matt Black



21.018

finish Chrome



59.064

finish PVD Brushed Gun Metal



59.066

finish PVD Brushed steel



59.067

finish PVD Brushed Copper Bronze



59.098

finish PVD Brushed Pale Gold



S0.165

finish Soft Eucalypt



S0.166

finish Soft Cortex



S0.167

finish Soft Maple



S0.169

finish Soft Navy