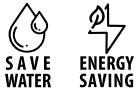


ALKIMIA

73301.S0.166

Water filtration and cooling system without CO₂ cylinder - finish Soft Cortex

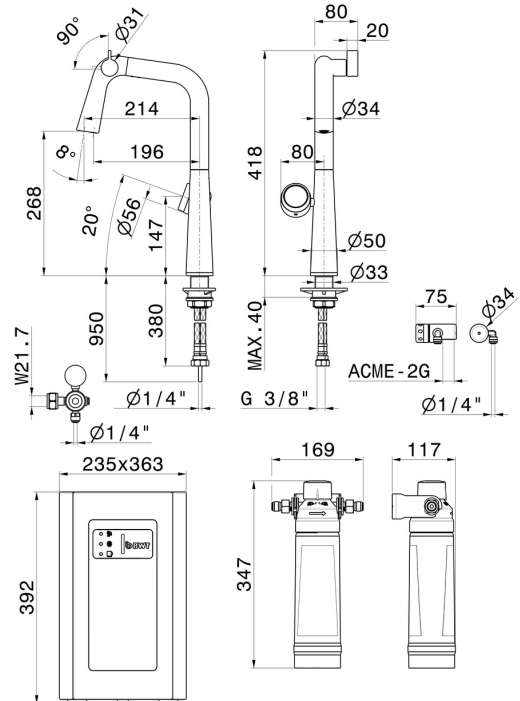
Including: - Sink mixer tap with electronic control; - Carbonated water cooler; - AQA drink AC 100 filter cartridge; - AQA drink MMW nozzle; - CO₂ pressure reducer kit for cylinder with W21.7 joint and 1/4" connection, with max. 4 bar pressure gauge; - CO



FEATURES

Material	Brass
Technology	Energy Saving - Save Water
Installation	Freestanding
Control type	Electronic remote control

TECHNICAL DRAWING





ALKIMIA

73301.S0.166

Water filtration and cooling system without CO₂ cylinder - finish Soft Cortex

AVAILABLE FINISHES



S0.166

Soft Cortex



01.014

finish Matt White



01.093

finish Matt Black



21.018

finish Chrome



59.064

finish PVD Brushed Gun Metal



59.066

finish PVD Brushed steel



59.067

finish PVD Brushed Copper Bronze



59.098

finish PVD Brushed Pale Gold



M0.077

finish Carbon Satin



S0.165

finish Soft Eucalypt



S0.167

finish Soft Maple



S0.169

finish Soft Navy