

## 232.58.061

Piletta da 1"1/4 con scarico a pulsante e troppopieno - finitura PVD Copper Bronze



### CARATTERISTICHE

---

Materiale

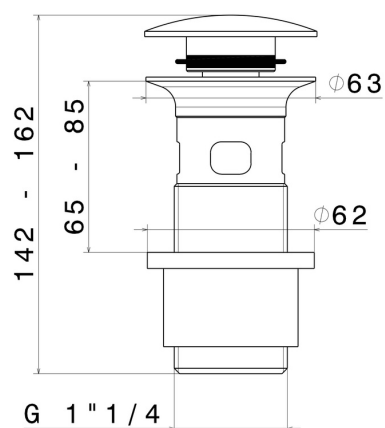
Ottone

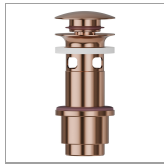
Scarico

Scarico a pulsante

### DISEGNO TECNICO

---





**232.58.061**

Piletta da 1"1/4 con scarico a pulsante e troppopieno - finitura PVD Copper Bronze

## FINITURE DISPONIBILI

---



**58.061**

finitura PVD Copper Bronze



**01.014**

finitura Bianco opaco



**01.093**

finitura Nero opaco



**21.018**

finitura Cromo



**47.083**

finitura Groove Bronze



**58.063**

finitura PVD Gun Metal



**59.064**

finitura PVD Brushed Gun Metal



**59.066**

finitura PVD Acciaio Spazzolato



**59.067**

finitura PVD Brushed Copper Bronze



**59.097**

finitura PVD Brushed Gold



**59.098**

finitura PVD Brushed Pale Gold



**61.020**

finitura PVD Glossy Gold

 **M0.070**  
finitura Titanium Satin

 **M0.071**  
finitura Gold Satin

 **M0.072**  
finitura Copper Satin

 **M0.075**  
finitura Copper Glossy

 **M0.077**  
finitura Carbon Satin