

## 227.59.064

Piletta da 1"1/4 con scarico libero - finitura PVD Brushed Gun Metal



PVD Brushed Gun Metal



### CARATTERISTICHE

---

Materiale

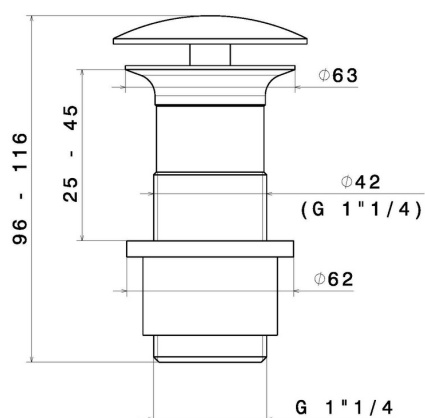
Ottone

Scarico

Scarico libero

### DISEGNO TECNICO

---





**227.59.064**

Piletta da 1"1/4 con scarico libero - finitura PVD Brushed Gun Metal

## FINITURE DISPONIBILI

---



**59.064**

finitura PVD Brushed Gun Metal



**01.014**

finitura Bianco opaco



**01.093**

finitura Nero opaco



**21.018**

finitura Cromo



**47.083**

finitura Groove Bronze



**58.061**

finitura PVD Copper Bronze



**58.063**

finitura PVD Gun Metal



**59.066**

finitura PVD Acciaio Spazzolato



**59.067**

finitura PVD Brushed Copper Bronze



**59.097**

finitura PVD Brushed Gold



**59.098**

finitura PVD Brushed Pale Gold



**61.020**

finitura PVD Glossy Gold



**MO.070**

finitura Titanium Satin



**MO.071**

finitura Gold Satin



**MO.072**

finitura Copper Satin



**MO.075**

finitura Copper Glossy



**MO.077**

finitura Carbon Satin