

## ACCESSORI TONDI

**67205.59.098**

Porta bicchiere a muro. Ceramica Bianca - finitura PVD  
Brushed Pale Gold



PVD Brushed Pale Gold



### CARATTERISTICHE

---

Materiale

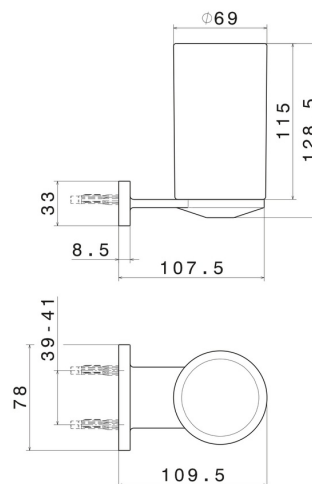
**Ceramica**

Installazione

**A parete**

### DISEGNO TECNICO

---





## ACCESSORI TONDI

**67205.59.098**

Porta bicchiere a muro. Ceramica Bianca - finitura PVD Brushed Pale Gold

### FINITURE DISPONIBILI

---



**59.098**

PVD Brushed Pale Gold



**01.014**

finitura Bianco opaco



**01.093**

finitura Nero opaco



**21.018**

finitura Cromo



**47.083**

finitura Groove Bronze



**58.061**

finitura PVD Copper Bronze



**58.063**

finitura PVD Gun Metal



**59.064**

finitura PVD Brushed Gun Metal



**59.066**

finitura PVD Acciaio Spazzolato



**59.067**

finitura PVD Brushed Copper Bronze



**59.097**

finitura PVD Brushed Gold



**61.020**

finitura PVD Glossy Gold



**MO.070**

finitura Titanium Satin



**MO.071**

finitura Gold Satin



**MO.072**

finitura Copper Satin



**MO.075**

finitura Copper Glossy



**MO.077**

finitura Carbon Satin