

## ACCESSORI TONDI

**67205.M0.075**

Porta bicchiere a muro. Ceramica Bianca - finitura Copper Glossy



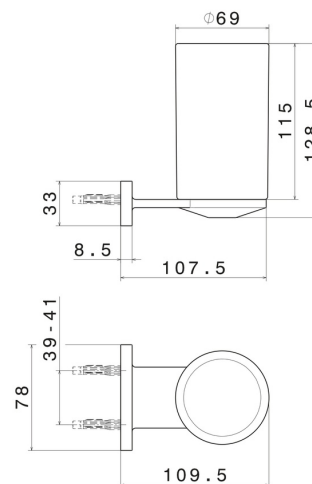
### CARATTERISTICHE

---

Materiale	<b>Ceramica</b>
Installazione	<b>A parete</b>

### DISEGNO TECNICO

---





## ACCESSORI TONDI

**67205.M0.075**

Porta bicchiere a muro. Ceramica Bianca - finitura Copper Glossy

### FINITURE DISPONIBILI

---



**M0.075**

Copper Glossy



**01.014**

finitura Bianco opaco



**01.093**

finitura Nero opaco



**21.018**

finitura Cromo



**47.083**

finitura Groove Bronze



**58.061**

finitura PVD Copper Bronze



**58.063**

finitura PVD Gun Metal



**59.064**

finitura PVD Brushed Gun Metal



**59.066**

finitura PVD Acciaio Spazzolato



**59.067**

finitura PVD Brushed Copper Bronze



**59.097**

finitura PVD Brushed Gold



**59.098**

finitura PVD Brushed Pale Gold

 **61.020**  
finitura PVD Glossy Gold

 **M0.070**  
finitura Titanium Satin

 **M0.071**  
finitura Gold Satin

 **M0.072**  
finitura Copper Satin

 **M0.077**  
finitura Carbon Satin